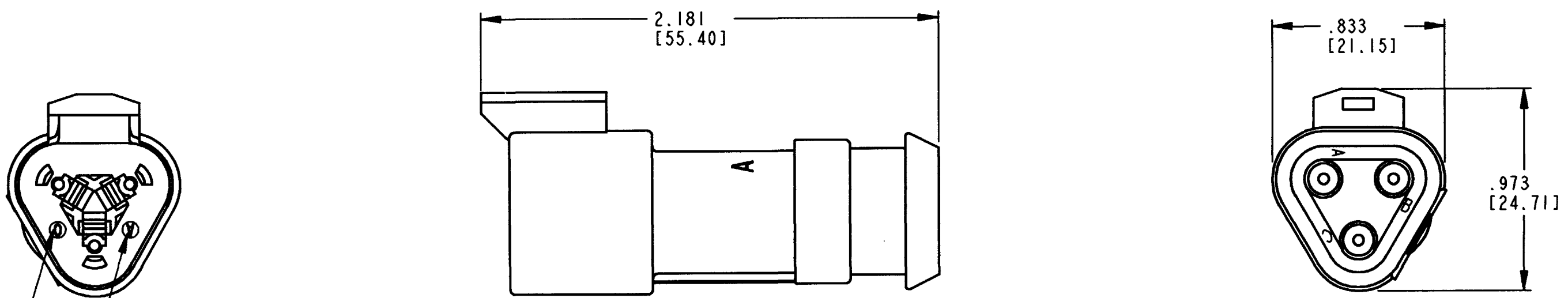


REV  
B DT04-3P-E008

REVISIONS			
SYM	DESCRIPTION	DATE	APPROVED
NC	NEW RELEASE PER E.O. A14881	8/18/95	R.D.R
A	REVISED PER E.O. A17530	11/26/01	R.D.R
B	REVISED PER E.O. A17814	7-1-02	RDR



DATE CODE: SEQUENTIAL ALPHA CHARACTERS REPRESENT MONTH. EX: A = JANUARY

DATE CODE: YEAR IS REPRESENTED BY LAST NUMERICAL DIGIT. EX: 0 = 2000.

- 5. THIS RECEPTACLE MATES WITH THE DT06-3S-\*\*\*\* PLUG. ( \*\*\*\* = ALL MODIFICATIONS ). CONSULT FACTORY FOR MODIFICATIONS.
- 4. THIS CONNECTOR CAN PASS THRU A ONE INCH HOLE.
- 3. FOR CONTACTS AND WIRE PERFORMANCE AND APPLICATION CHARACTERISTICS, SEE ENVELOPE DRAWINGS 0425-015-0000 AND 0425-017-0000.
- 2. DIMENSIONS ARE  $\pm .025$  [0.64] UNLESS OTHERWISE SPECIFIED.
- 1. ALL DIMENSIONS ARE IN INCHES [ MILLIMETERS ].

CONTACT SIZE	MIN. INSUL. O.D.	MAX. INSUL. O.D.	WIRE RANGE [mm <sup>2</sup> ] REF ONLY
16	.088 [2.24]	.145 [3.68]	14-20 AWG [2.0-0.5]

NOTES:

SIGNATURE & DATE		<b>3 WAY RECEPTACLE -E008 MOD. DT SERIES</b>  ENVELOPE	CP	MATL. CODE	
DR	T. YOHANNES 12NOV01		<b>The Deutsch Company</b> DEUTSCH I.P.D. 3850 INDUSTRIAL AVE. HEMET, CALIF. 92545		
CHK	<i>Jamie Spartz 6/21/02</i>		<b>B DT04-3P-E008</b>	DWG. CODE	SHEET   OF
PE	<i>T. Johannes 6/21/02</i>			11139	
APPD	<i>Spartz 6-26-02</i>				
SCALE	NONE	WT			